



Compact room sensor can be surface or single-gang mounted

HE Wall Series

Wall Mount Economy Humidity Sensors
3% or 5% Accuracy

Applications

- Energy management systems
- HVAC control for improved comfort & energy savings
- Schools, office buildings, print shops, and other locations requiring humidity control

Reduce installation costs with combination sensors

- Monitor humidity and temperature with a single device—reduce installation costs
- Semiconductor temperature transmitter or popular thermistor/RTD sensors available

HE Wall Series economy wall mount humidity transmitters combine humidity with optional temperature in an extremely rugged and low profile housing. In addition to its aesthetic appearance, the HE series is equipped with a thin-film capacitive relative humidity sensor that provides exceptional accuracy and performance. The sensors are factory calibrated at 3% or 5% accuracies for environmental comfort control. To save additional time and money, the HE sensors can accommodate temperature options such as transmitter, thermistor, or RTD.

ORDERING INFORMATION

	(Package)	(Accuracy)	(Output)	(US or EU)	(Temp.)	(Sensor Type)
HE	<input type="checkbox"/> W	<input type="checkbox"/> 3 5	<input type="checkbox"/> M V J	<input type="checkbox"/> S	<input type="checkbox"/> T X	<input type="checkbox"/>
	W = Wall	3 = 3% 5 = 5%	M = 4-20mA V = 0-10VDC J = 0-5VDC	S = Standard	T = Temp X = No Temp (Stop here)	*A = 0-5/0-10V Transmitter B = 100R Platinum, RTD C = 1k Platinum, RTD D = 10k T2, Thermistor E = 2.2k, Thermistor F = 3k, Thermistor G = 10k CPC Thermistor H = 10k T3, Thermistor J = 10k Dale, Thermistor K = 10k w/11k with Shunt, Thermistor M = 20k NTC, Thermistor N = 1800 ohm TAC, Thermistor Q = 1uA/°C, Linitemp R = 10k US, Thermistor S = 10k 3A 221 Thermistor T = 100k, Thermistor

*Not available in 4-20mA models

Example:

Without Temp
HE W 3 M S T C

With Temp
HE W 3 V S X

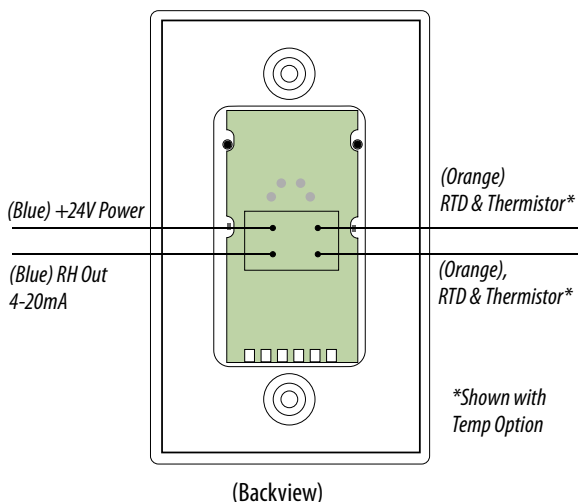
ACCESSORIES

Water guard and other accessories, see page 234

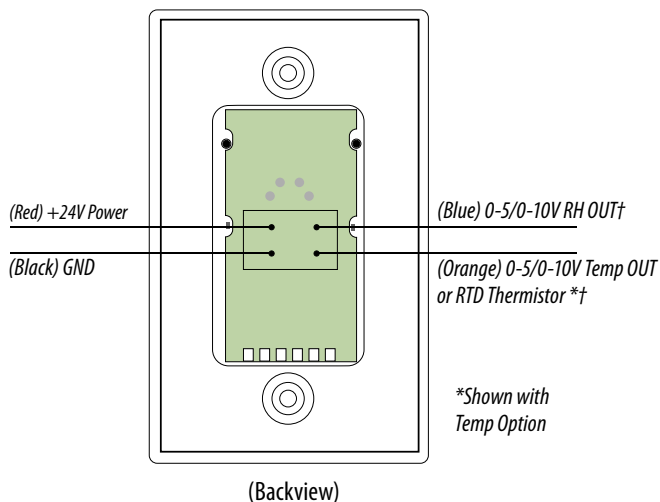


WIRING DIAGRAMS

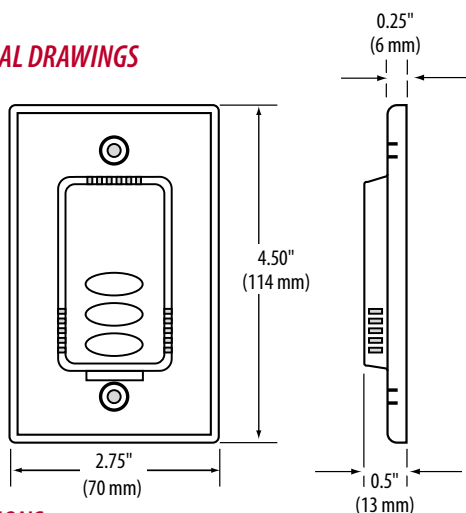
Current Output (2-Wire, 4-20mA)



Voltage Output (3-Wire, 0-5V/0-10V)



DIMENSIONAL DRAWINGS



† RH & Temperature signals are referenced to GND on voltage output models

SPECIFICATIONS

RH Sensor	Digitally profiled thin-film capacitive humidity sensor
Accuracy	3% or 5%, @ 10 to 90% RH [@22.5°C (72.5°F) (±0.08% RH/°C)]
Reset Rate*	24 hours
Stability	±1% @20°C (68°F) annually, for two years
Operating Humidity Range	0 to 100% RH
Analog Output	4-20mA version; 2-wire, polarity insensitive, (clipped and capped) ; 0-5V/0-10V versions; 3-wire, observe polarity
Scaling	0-100% RH
Input Power	4-20mA version; loop powered 12-30VDC only, 30mA max.; 0-5V/0-10V versions; 12 (15 for 0-10V)-30VDC/24VAC, 15mA max.
Operating Temperature Range	10°-35°C (50°-95°F)
Physical	UL 94 V-0
<i>Optional Temperature Output:</i>	
Transmitter Models	Digital 0-5V/0-10V output; accuracy ±0.5°C (±1°F)
Range	10°-35°C (50°-95°F)
RTD Models	Customer specified thermistor or RTD
Wiring	Flying Leads

1-Year Limited Warranty

*Reset Rate is the time required to recover to 50% RH after exposure to 90% RH for 24 hours.

One side of transformer secondary is connected to signal common. Isolation transformer or dedicated power supply may be required.