



H822



# Hawkeye® 822/822-20

## Solid-Core 0-5VDC Output Self-Powered Current Transducer

### Self-powered analog current sensor

- Reduces the number of installed components...saves time and space
- No jumpers on unit...reduces installation errors
- No external power required for sensor
- Adjustable mounting bracket for installation flexibility
- 5-year limited warranty

No More Wrapping! Designed specifically to handle low current loads and reduce the need to make multiple passes with the conductor, the self-powered Hawkeye 822 provides accurate load trending information in factory calibrated 0-10 or 0-20 Amp models. The output is an 0-5VDC analog signal proportional to the input current (see graphs).

### APPLICATIONS

- Load trending
- Motor control



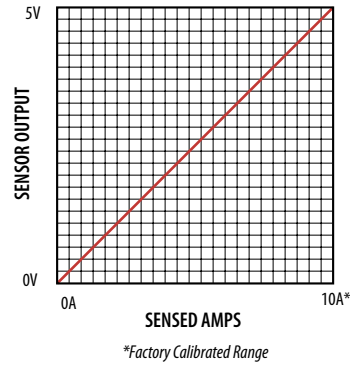
### ORDERING INFORMATION

MODEL	AMPERAGE RANGE	OUTPUT TYPE
H822	10 Amp	0-5VDC
H822-20	20 Amp	0-5VDC

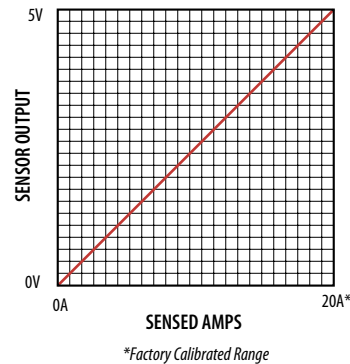
### ACCESSORIES

DIN Rail Clip Set...See page 234

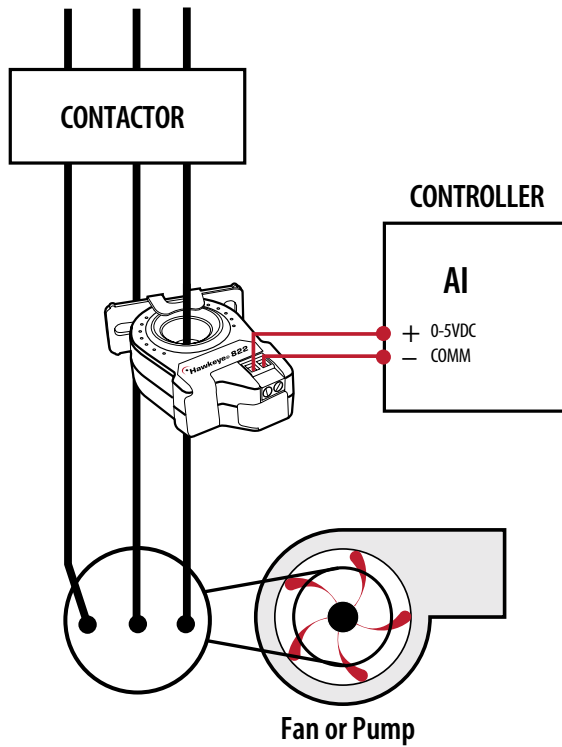
**H822 LINEAR OUTPUT**  
Scale software as shown



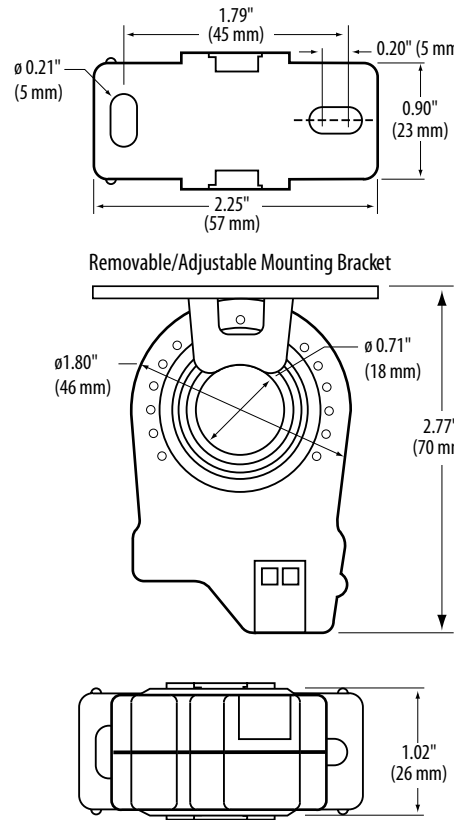
**H822-20 LINEAR OUTPUT**  
Scale software as shown



**APPLICATIONS/WIRING EXAMPLE**



**DIMENSIONAL DRAWINGS**



61

**SPECIFICATIONS**

<b>Amperage Range</b>	See ordering table
<b>Output</b>	0-5VDC Self-powered
<b>Insulation Class</b>	600VAC rms
<b>Frequency Range</b>	60Hz. nominal
<b>Temperature Range</b>	-15° to 60°C
<b>Humidity Range</b>	0-95% non-condensing
<b>Accuracy (above 2A)</b>	±2% H822-20, ±3% H822
<b>Response Time</b>	2 sec.
<b>Dimensions (H822)...(L x W x H)</b>	2.77" (70mm) x 1.79" (45mm) x 1.02" (26mm)
<b>Sensor Hole Size</b>	0.71" (18mm) Diameter