

COMMAND & STATUS IN A SINGLE DEVICE!



US Patent No. 6,005,760



# Hawkeye® 735 Series

Solid-Core Adjustable Setpoint Current Switches with Patented Integral Command Relay

The Hawkeye 735 Series is the ideal solution for the automation installer. These units combine a current switch and relay into a single package, reducing the space required for total control of fans and pumps. The integral current switch and relay operate independently of one another. The 735-759 products facilitate the functions of start/stop and status with one device instead of two.

**APPLICATIONS**

- Starting/stopping and monitoring positive status of fan and pump motors
- Replaces pressure switches and other electromechanical devices

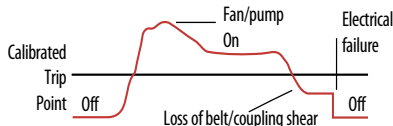
**Combines command relay & fan/pump status sensor in a single, easy to install unit**

- Reduces number of components installed—fits better in small starter enclosures
- Command relay and status in a single unit
- Replace pressure switches and other electromechanical devices
- Detect belt loss and motor failure...ideal for fan and pump status
- H748 features SPDT command relay

**Now— one device does the job of two**

- Reduced charges from electrician
- Relay and status LEDs for easy setup
- Polarity insensitive status output
- 1 to 135A adjustable setpoint for current sensor status
- 5-year limited warranty

**Detects belt loss/coupling shear!**



Now you can easily detect when drive belts slip, break, or pump couplings shear. In fact, a typical HVAC motor that loses its load has a reduction of current draw of up to 50%. That's why our sensors are the industry standard for status.



**ORDERING INFORMATION**

**H735** Form A (SPST) 5(3)@250VAC,30VDC, 1/6HP...24VAC/DC 10mA Output: 0.1A@30VAC/DC N.O. Solid-State

(Command Relay: Contact...Coil)

H7

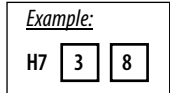
- 3 = Form A (SPST), 10(5)@250VAC,30VDC, 1/3HP...24VAC/DC 10mA
- 4 = Form C (SPDT), 8(3.5)@250VAC,30VDC, 1/4HP...24VAC/DC 10mA
- 5 = Form A (SPST), 10(5)@250VAC, 30VDC, 1/3HP...9-12VDC 20mA

(Status Output)

- 8 = 1.0A@30VAC/DC N.O. Solid State
- 9 = 0.2A@120VAC/DC N.O. Solid State



Available only on 735, 738, 748

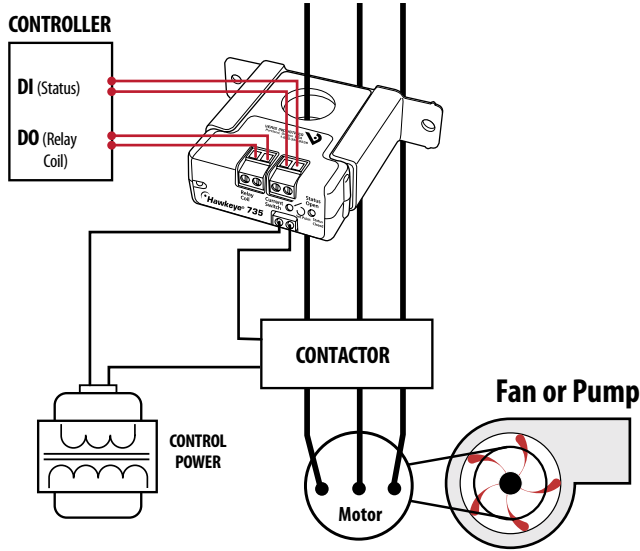


**ACCESSORIES**

DIN Rail Clip Set, Relay Snubber (TVS)...See page 234

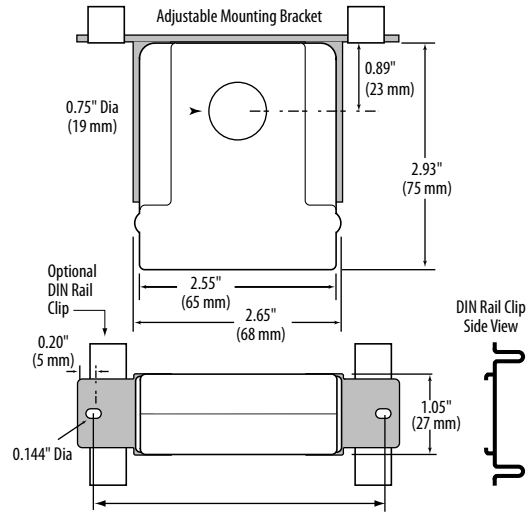
**APPLICATIONS/WIRING EXAMPLE**

*Monitoring & Controlling Motor Loads...New Construction*



- A command relay and status sensor in a single unit; a clean, cost-effective solution for monitoring and controlling electrical loads
- All units feature status open and status closed LEDs for a meter-free calibration
- All units feature a relay power LED for easy indication of relay status

**DIMENSIONAL DRAWINGS**



**SPECIFICATIONS**

<b>Amperage Range</b>	1-135A
<b>Sensor Power</b>	Induced
<b>Output</b>	Digital Switch (see ordering table)
<b>Insulation Class</b>	600VAC rms
<b>Frequency Range</b>	50/60Hz.
<b>Temperature Range</b>	-15° to 60°C
<b>Humidity Range</b>	0-95% non-condensing
<b>Setpoint</b>	Adjustable 1-135A
<b>Hysteresis</b>	10% Typical
<b>Dimensions... (L x W x H)</b>	2.93" (75mm) x 2.68" (68mm) x 1.05" (27mm)
<b>Sensor Opening Size</b>	0.75" (19mm) Dia.

*Do not use the LED status indicators as evidence of applied voltage.*