



Hawkeye® 720

Solid-Core High Accuracy VFD Compatible 4-20mA Output Current Transducer

Exclusive polymer core is suitable for monitoring variable frequency drives (VFDs)

- Superior to Hall-effect & metal core sensors...frequency tolerant 10-80Hz
- Accurate to 0.5% full-scale
- Suitable for load side monitoring of VFDs
- Combines sensor & transducer in an easy to install package
- Adjustable zero & span for precise scaling
- Adjustable mounting bracket for easy placement
- 5-year limited warranty

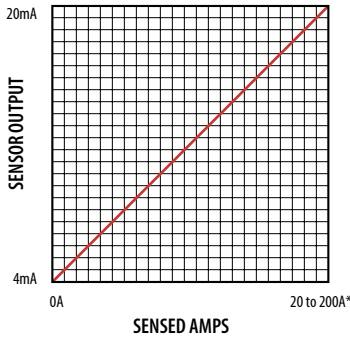
The Hawkeye 720 features a frequency tolerant polymer core making it suitable for monitoring loads controlled by variable frequency drives (VFDs).

APPLICATIONS

- Load or line side VFD monitoring
- High accuracy load trending
- Perfect for industrial control applications
- Great for monitoring tool wear & feed rates



H720 LINEAR OUTPUT
Scale software as shown



*Adjusted with Span Setting

ORDERING INFORMATION

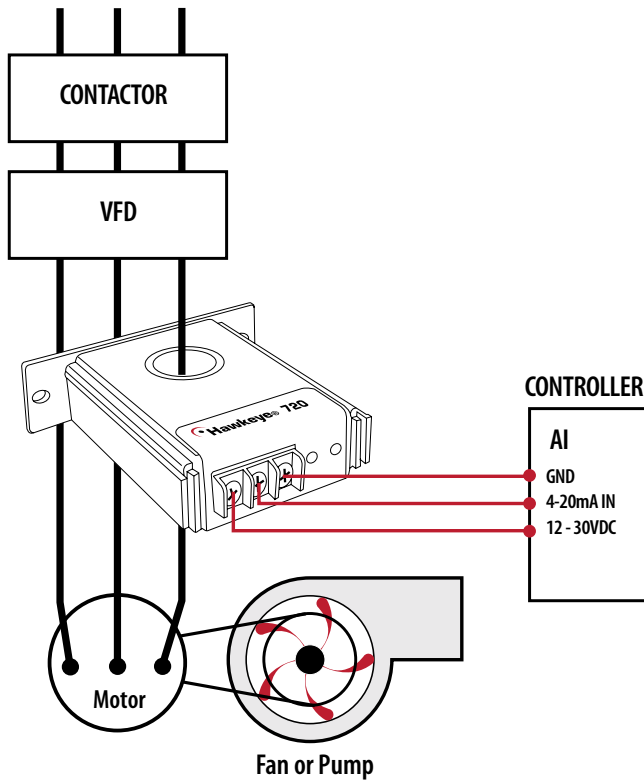
MODEL	AMPERAGE RANGE		OUTPUT TYPE
	4mA	20mA (SPAN)	
H720	0A	20 to 200A	4-20mA



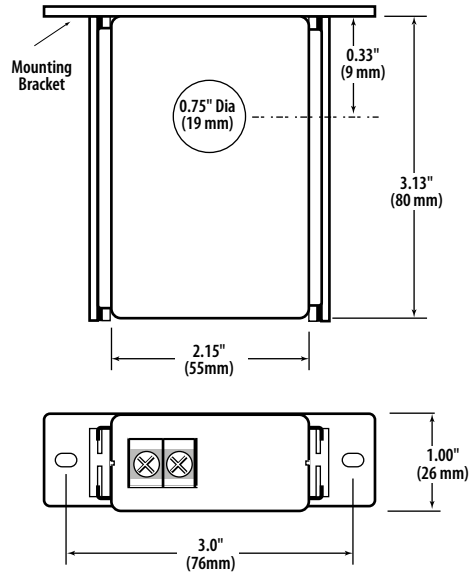
ACCESSORIES

Universal Power Supply, Universal Mounting Bracket Kit...See page 234

APPLICATIONS/WIRING EXAMPLE



DIMENSIONAL DRAWINGS



SPECIFICATIONS

Amperage Range	0 to 200A continuous
Output	4-20mA
Insulation Class	600VAC rms
Frequency Range	10 to 80Hz.
Temperature Range	-15° to 60°C
Humidity Range	0-95% non-condensing
Accuracy	0.5% (combined linearity, hysteresis & repeatability)
Response Time	2 sec.
Sensor Supply Voltage	12 to 30VDC
Supply Current	30mA max.
Zero Adjustment	3.5 to 4.5mA
Span Adjustment	20 to 200A, full scale
Dimensions....(L x W x H)	3.13" (80mm) x 2.15" (55mm) x 1.00" (26mm)
Sensor Hole Size	0.75" (19mm)